

### Ductile Iron Foot Valves

PN16/235PSI/Class 125

Large Flow, Stainless Steel Screen

Flange Dimension EN1092-2, ANSI B16.1 Class 125



**TF-970**

2" - 20"

Hydraulic Pressure Test	
Body	2.4Mpa/24Bar

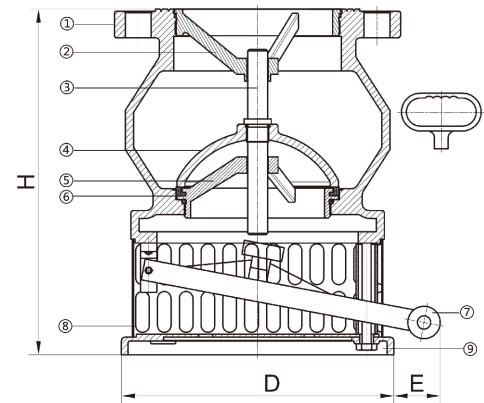
Sealing Performance	
NBR	-10°C- 80°C
VITON	-20°C- 150°C

#### Materials List

No	Part	Specification	BS EN	ASTM
1	Body	Ductile Iron	BSEN 1563	A536 65-45-12
2	Upper Seat	Ductile Iron	BSEN 1563	A536 65-45-12
3	Stem	Stainless steel	BS970 304S15	AISI 304
4	Disc	Ductile Iron	BSEN 1563	A536 65-45-12
5	Lower Seat	Ductile Iron	BSEN 1563	A536 65-45-12
6	Washer	Rubber	NBR/VITON	NBR/VITON
7	Pull Rod	Ductile Iron	BSEN 1563	A536 65-45-12
8	Strainer Screen	Stainless Steel	BS970 304S15	AISI 304
9	Chassis	Ductile Iron	BSEN 1563	A536 65-45-12

\* Used at the bottom of reservoirs.

\* Stainless steel shell, valve core & stem assembly (Fig.TF370)



#### Dimensions-Weights

mm	50	65	80	100	125	150	200	250	300	350	400	450	500
In	2	2 1/2	3	4	5	6	8	10	12	14	16	18	20
H	200	200	240	260	270	290	393	420	470	600	709	720	950
D	140	150	175	200	235	275	330	425	445	550	650	700	760
E	16	40	30	40	50	25	40	60	--	--	--	--	--
Weight	Lbs	11	19	20	24	37	48	108	132	214	401	573	684
	Kg	5	8.5	9	11	17	22	49	60	97	182	260	310